

Inductive power clamp sensor

NBxx-F58D3x3-E8-V1

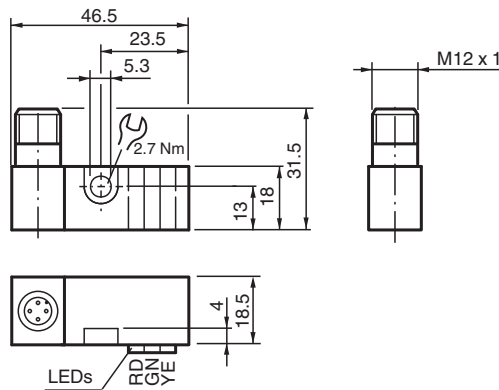


- Technical data are only valid if satellite unit is connected
- Completely halogen and silicon free
- Extremely bright triple luminous band indication
- Orientation of the coding of the connector plug to position 3

Amplifier unit



Dimensions



Technical Data

General specifications			
Switching function			2 x normally open (NO)
Output type			PNP
Output polarity			DC
Output type			4-wire
Nominal ratings			
Operating voltage	U_B	10 ... 30 V	
Switching frequency	f	0 ... 100 Hz	
Reverse polarity protection			reverse polarity protected
Short-circuit protection			pulsing
Voltage drop	U_d	≤ 3 V	
Rated insulation voltage	U_{BIS}	60 V	
Operating current	I_L	0 ... 100 mA	
Off-state current	I_r	0 ... 0.5 mA typ. 0.1 μ A at 25 °C	
No-load supply current	I_o	≤ 15 mA	
Constant magnetic field	B	100 mT	
Alternating magnetic field	B	100 mT	

Release date: 2022-05-30 Date of issue: 2022-05-30 Filename: 297909_eng.pdf

Refer to "General Notes Relating to Pepperl+Fuchs Product Information".

Pepperl+Fuchs Group
www.pepperl-fuchs.com

USA: +1 330 486 0001
fa-info@us.pepperl-fuchs.com

Germany: +49 621 776 1111
fa-info@de.pepperl-fuchs.com

Singapore: +65 6779 9091
fa-info@sg.pepperl-fuchs.com

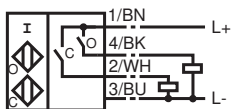
PEPPERL+FUCHS

Technical Data

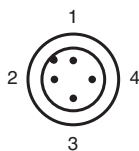
Tuning-out	typically 1 s
Operating voltage indicator	LED green
Switching state indicator	Switching state "closed" = LED red (S2) switching state "open" = LED yellow (S1)
Functional safety related parameters	
MTTF _d	1000 a
Mission Time (T _M)	20 a
Diagnostic Coverage (DC)	0 %
Compliance with standards and directives	
Standard conformity	
Standards	EN 60947-5-2:2007 EN 60947-5-2/A1:2012 IEC 60947-5-2:2007 IEC 60947-5-2 AMD 1:2012
Approvals and certificates	
UL approval	cULus Listed, General Purpose
CCC approval	CCC approval / marking not required for products rated ≤36 V
Ambient conditions	
Ambient temperature	-25 ... 50 °C (-13 ... 122 °F)
Storage temperature	-40 ... 85 °C (-40 ... 185 °F)
Mechanical specifications	
Connection type	Connector plug M12 x 1 , 4-pin
Housing material	PA66
Degree of protection	IP65
Protection class	II
Note	only for use with satellite unit NBN2-F58xx... family

Connection

E8



Connection Assignment

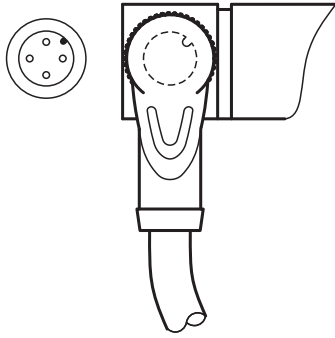


Wire colors in accordance with EN 60947-5-2

1	BN	(brown)
2	WH	(white)
3	BU	(blue)
4	BK	(black)

Assembly

Orientation of the female cordset in angled design



Additional Information

Safety instructions

Laws and/or regulations and standards governing the use or intended usage goal must be observed.

No changes can be made to the device.
Repairs are not possible.

Protection class II (protective isolation) is only reached under the stated mounting conditions.

Release date: 2022-05-30 Date of issue: 2022-05-30 Filename: 297909_eng.pdf

Accessories

	V1-G-OR2M-POC	Female cordset single-ended M12 straight A-coded, 4-pin, POC cable welding-bead resistant orange, suitable for robotic applications, torsion resistant, oil resistant, molecularly cross-linked
--	----------------------	---